

J.L. WINGERT CO.

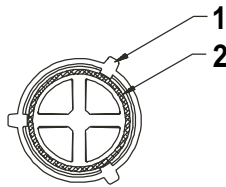
P.O. Box 6207 • Garden Grove, CA 92846-6207 / 11800 Monarch Street • Garden Grove, CA 92841-2113
 Phone (714) 379-5519 • Fax (714) 379-5549 ■ Southwest Region: Phone (602) 470-1015
 30998 Huntwood Avenue, Unit 105 • Hayward, CA 94544-7033 • Phone (510) 487-5310 • Fax (510) 487-5137

On the Internet: www.jlwingert.com • Email: customerservice@jlwingert.com

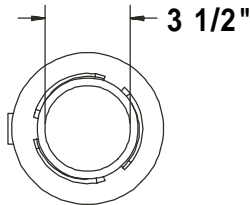
MANUFACTURING: Mixers, Bypass Feeders, Filter Feeders, Sample Coolers, Sludge Traps, Separators, Tank Stands,
 Tank Package Systems, Glycol Feed Systems, Coupon Racks, Custom Packaged Systems and Specialty Welding

Specification Sheet #032007 Rev. "E" (3/01)

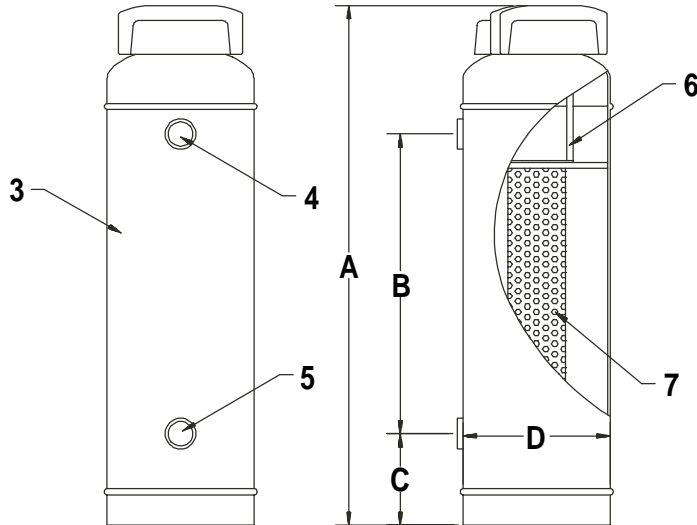
FLAT BOTTOM FILTER FEEDERS



LID BOTTOM VIEW



FEEDER TOP VIEW
(LESS FEEDER LID)



PARTS, MATERIALS AND SPECIFICATIONS:

KEY	PART	SPECIFICATIONS
1	3071	CLOSURE: 3 1/2" cast iron, 1/4 turn closure. (O-ring included)
2	3072	O-RING: Buna-N O-ring 200° F
3		BODY: Carbon steel
4		ENTRY: 3/4" FNPT
5		EXIT: 3/4" FNPT
6	3128	BASKET: 304 stainless steel basket (2"D x 9"L)
	3129	BASKET: 304 stainless steel basket (2"D x 24"L)
7	3131	FILTER: 25 micron bag (2"D x 9"L) 28 c.i. capacity
	3132	FILTER: 25 micron bag (2"D x 24"L) 75c.i. capacity
MAX. PRESSURE		200 PSI (13.6 BAR)
MAX. TEMPERATURE		200° F (93° C)

VOLUME (FILL CAPACITY)

MODEL	GALLONS	LITERS
F-2HD	2.16	8.17
F-5HD	5.79	21.92
F-12HD	12.76	48.30

DIMENSIONS, WEIGHT AND CUBE:

KEY	F-2HD	F-5HD	F-12HD
A	21 1/8"	21 5/8"	42"
B	12"	11"	31"
C	3 3/4"	4"	4 1/4"
D	6"	10"	10"
WEIGHT	21 lbs. (9.5 kgs.) approx.	38 lbs. (17.3 kgs.) approx.	64 lbs. (29.1 kgs.) approx.
CUBE	6" X 6" X 22"	10" X 10" X 22"	10" X 10" X 44"

Note: All dimensions are +/- 1/8". All weights are approximate. All dimensions are subject to change without notice.